

Bone Scan

A bone scan is a test that checks your bones. A very small amount of radioactive dye is given to let your doctor see your bones. Your body will get rid of the dye on its own.

This test has two parts. You will be given two appointment times. **Arrive on time for each part of the test.**

If you have any allergies to medicines, foods or other things, tell the staff before the test.

If you are breastfeeding, pregnant or think you might be, tell the staff before the test.

During the Test

Part One:

An IV (intravenous) is put in a vein in your arm. The dye is put into your IV. One or two scans may be done. Lie flat and hold still as each scan is done.

The first part of your test is at _____ morning/afternoon
Time

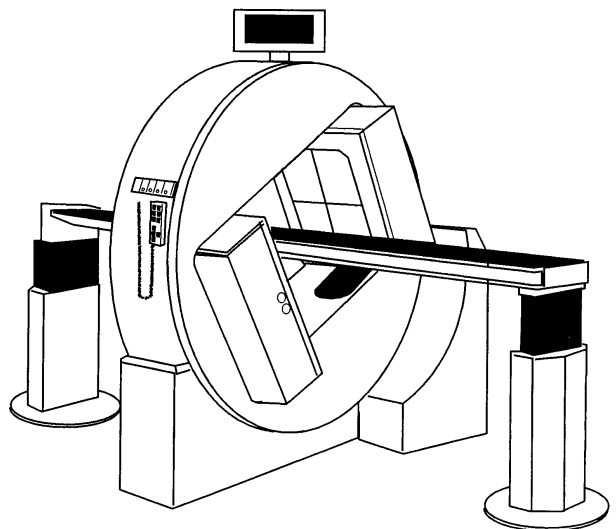
on _____, 20_____.
Month Day Year

Part Two:

About 3 hours later, you need to return to have a scan done of your whole body. You lie on a table during the scan. This takes about 1 hour.

The second part of your test is at _____ morning/afternoon.

Time



After the Test

- Drink plenty of liquids the day of the test to help get rid of the dye.
- Test results are sent to your doctor. Your doctor will share the results with you.

Talk to your doctor or nurse if you have any questions or concerns.